

EMERGENCY DETACHMENT OF SRHVO FROM SLIDERITE® PALLET

SECTION A

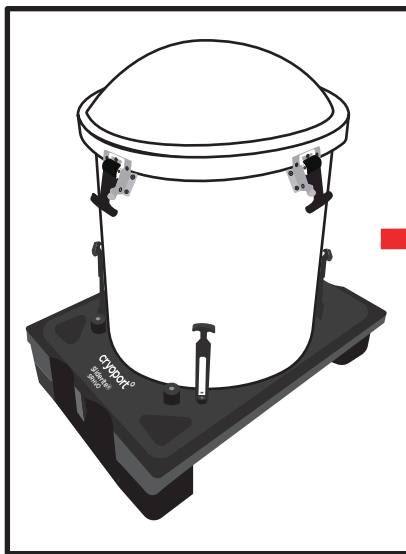
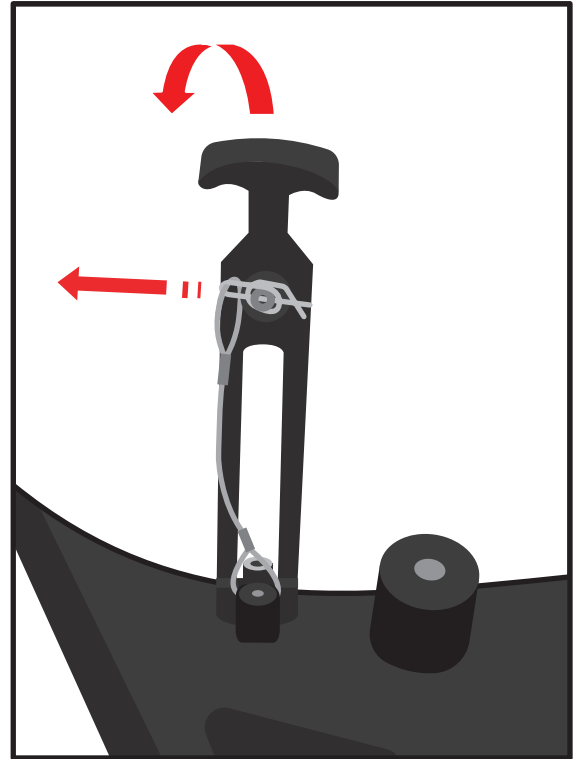
DETACHMENT

Remove the 4 safety pins by slightly rotating and pulling by the closed end.

Remove the draw latches by pulling up-out & off of the dewar shell latch catches.

The dewar shell and the Sliderite® pallet can then be detached if required.

Reverse process to reattach.



**IF THE DRY SHIPPER DOES NOT EMIT VAPOR WHEN PLUG IS REMOVED
PLEASE CONTACT CUSTOMER SERVICE IMMEDIATELY, BY CALLING (949) 470-2305 OR EMAIL CS@CRYOPORT.COM**

**24-hour Help Line
(949) 470-2305**

Cryoport, Inc. • 17305 Daimler St. • Irvine, CA 92614
Phone: 1-949-470-2300 | Fax: 1-949-470-2306
www.cryoport.com • e-mail contact: cs@cryoport.com